

FEATURES

- Single lane 2:1 mux/1:2 demux
- 3.2 Gbps to dc data rates
- Compensates over 40 inches of FR4 at 3.2 Gbps through
 - Two levels of input equalization, or
 - Four levels of output pre-emphasis
- Operates with ac- or dc-coupled differential I/O
- Low deterministic jitter, typically 16 ps p-p
- Low random jitter, typically 500 fs rms
- On-chip terminations
- Unicast or bicast on 1:2 demux function
- Loopback capability on all ports
- 3.3 V core supply
- Flexible I/O supply
- Low power, typically 200 mW in basic configuration¹
- 32-lead LFCSP package
- 40°C to +85°C operating temperature range

APPLICATIONS

- Low cost redundancy switch
- SONET OC48/SDH16 and lower data rates
- Gigabit Ethernet over backplane
- Fibre Channel 1.06 Gbps and 2.12 Gbps over backplane
- Serial RapidIO
- PCI Express Gen 1
- Infiniband over backplane

GENERAL DESCRIPTION

The AD8153 is an asynchronous, protocol agnostic, single-lane 2:1 switch with three differential CML inputs and three differential CML outputs. The AD8159, another member of the Xstream line of products, is suitable for similar applications that require more than one lane.

The AD8153 is optimized for NRZ signaling with data rates of up to 3.2 Gbps per port. Each port offers two levels of input equalization and four levels of output pre-emphasis.

The device consists of a 2:1 multiplexer and a 1:2 demultiplexer. There are three operating modes: pin mode, serial mode, and mixed mode. In pin mode, lane switching, equalization, and pre-emphasis are controlled exclusively using external pins. In serial mode, an I²C interface is used to control the device and to

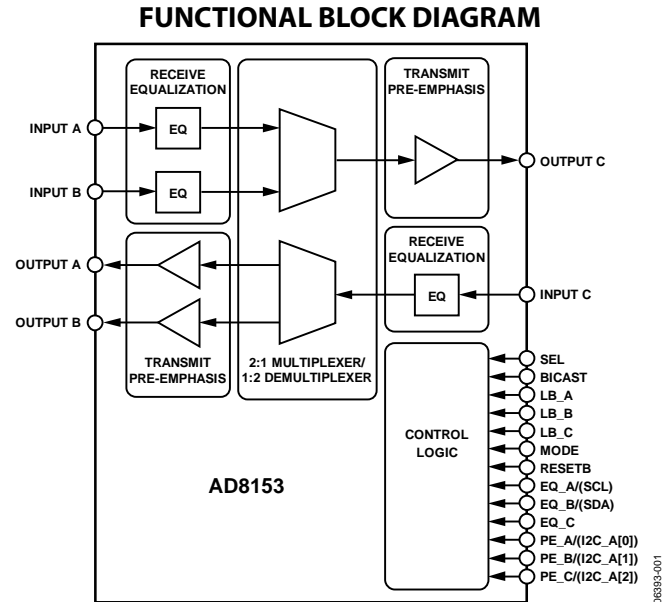


Figure 1.

provide access to advanced features, such as additional pre-emphasis settings and output disable. In mixed mode, the user accesses the advanced features using I²C, but controls lane switching using the external pins.

The main application of the AD8153 is to support redundancy on both the backplane side and the line interface side of a serial link. The device has unicast and bicast capability, so it is capable of supporting either 1 + 1 or 1:1 redundancy.

Using a mixture of bicast and loopback modes, the AD8153 can also be used to test high speed serial links by duplicating the incoming data and transmitting it to the destination port and test equipment simultaneously.

¹ Two ports active with no pre-emphasis.

Rev. 0

Information furnished by Analog Devices is believed to be accurate and reliable. However, no responsibility is assumed by Analog Devices for its use, nor for any infringements of patents or other rights of third parties that may result from its use. Specifications subject to change without notice. No license is granted by implication or otherwise under any patent or patent rights of Analog Devices. Trademarks and registered trademarks are the property of their respective owners.

TABLE OF CONTENTS

| | | | |
|--|----|--|----|
| Features | 1 | Transmit Pre-Emphasis | 14 |
| Applications..... | 1 | I ² C Serial Control Interface..... | 15 |
| Functional Block Diagram | 1 | Register Set..... | 15 |
| General Description | 1 | General Functionality | 15 |
| Revision History | 2 | I ² C Data Write..... | 16 |
| Specifications..... | 3 | I ² C Data Read..... | 17 |
| I ² C Timing Specifications..... | 4 | Applications Information | 18 |
| Absolute Maximum Ratings..... | 5 | PCB Design Guidelines | 19 |
| ESD Caution..... | 5 | Interfacing to the AD8153..... | 20 |
| Pin Configuration and Function Descriptions..... | 6 | Termination Structures..... | 20 |
| Typical Performance Characteristics | 7 | Input Compliance..... | 20 |
| Theory of Operation | 13 | Output Compliance | 21 |
| Switch Configurations | 13 | Outline Dimensions | 22 |
| Receive Equalization | 14 | Ordering Guide | 22 |

REVISION HISTORY

4/07—Revision 0: Initial Version.

SPECIFICATIONS

$V_{CC} = V_{TTI} = V_{TTO} = 3.3\text{ V}$, $V_{EE} = 0\text{ V}$, $R_L = 50\ \Omega$, two outputs active with no pre-emphasis, data rate = 3.2 Gbps, ac-coupled, PRBS7 test pattern, $V_{ID} = 800\text{ mV p-p}$, $T_A = 25^\circ\text{C}$, unless otherwise noted.¹

Table 1.

| Parameter | Conditions | Min | Typ | Max | Unit |
|------------------------------------|---|----------------|----------|----------------|-------------------------|
| DYNAMIC PERFORMANCE | | | | | |
| Data Rate/Channel (NRZ) | | DC | | 3.2 | Gbps |
| Deterministic Jitter | Data rate = 3.2 Gbps, high EQ | | 16 | | ps p-p |
| Random Jitter | RMS, high EQ | | 500 | | fs |
| Propagation Delay | Input to output | | 640 | | ps |
| Lane-to-Lane Skew | | | 55 | | ps |
| Switching Time | | | 5 | | ns |
| Output Rise/Fall Time | 20% to 80% | | 85 | | ps |
| INPUT CHARACTERISTICS | | | | | |
| Input Voltage Swing | Differential | 200 | | 2000 | mV p-p |
| Input Voltage Range | Common mode, $V_{ID} = 800\text{ mV p-p}$ | $V_{EE} + 1.0$ | | $V_{CC} + 0.3$ | V |
| Input Capacitance | | | 2 | | pF |
| OUTPUT CHARACTERISTICS | | | | | |
| Output Voltage Swing | Differential, @ dc | 700 | 800 | 900 | mV p-p |
| Output Voltage Range | Single-ended absolute voltage level | $V_{CC} - 1.6$ | | $V_{CC} + 0.6$ | V |
| Output Current | No pre-emphasis | | 16 | | mA |
| Output Current | Maximum pre-emphasis, all ports | | 28 | | mA |
| Output Capacitance | | | 2 | | pF |
| TERMINATION CHARACTERISTICS | | | | | |
| Resistance | Differential | | 100 | | Ω |
| Temperature Coefficient | | | 0.1 | | $\Omega/^\circ\text{C}$ |
| POWER SUPPLY | | | | | |
| Operating Range | | | | | |
| V_{CC} | $V_{EE} = 0\text{ V}$ | 3.0 | 3.3 | 3.6 | V |
| V_{TTI} | $V_{EE} = 0\text{ V}$ | | V_{CC} | | V |
| V_{TTO} | $V_{EE} = 0\text{ V}$ | | V_{CC} | | V |
| Supply Current | Two outputs active, no pre-emphasis, 400 mV I/O swings (800 mV p-p differential) | | | | |
| I_{CC} | | 27 | 31 | 35 | mA |
| $I_{IO} = I_{TTO} + I_{TTI}$ | | 26 | 32 | 39 | mA |
| Supply Current | Three outputs active, maximum pre-emphasis, 400 mV I/O swings (800 mV p-p differential) | | | | |
| I_{CC} | | 53 | 58 | 63 | mA |
| $I_{IO} = I_{TTO} + I_{TTI}$ | | 74 | 84 | 95 | mA |
| THERMAL CHARACTERISTICS | | | | | |
| Operating Temperature Range | | -40 | | +85 | $^\circ\text{C}$ |
| θ_{JA} | Still air | | 30.0 | | $^\circ\text{C/W}$ |
| LOGIC INPUT CHARACTERISTICS | | | | | |
| Input High (V_{IH}) | | 2.4 | | V_{CC} | V |
| Input Low (V_{IL}) | | V_{EE} | | 0.8 | V |

¹ V_{ID} : Input differential voltage swing.

I²C TIMING SPECIFICATIONS

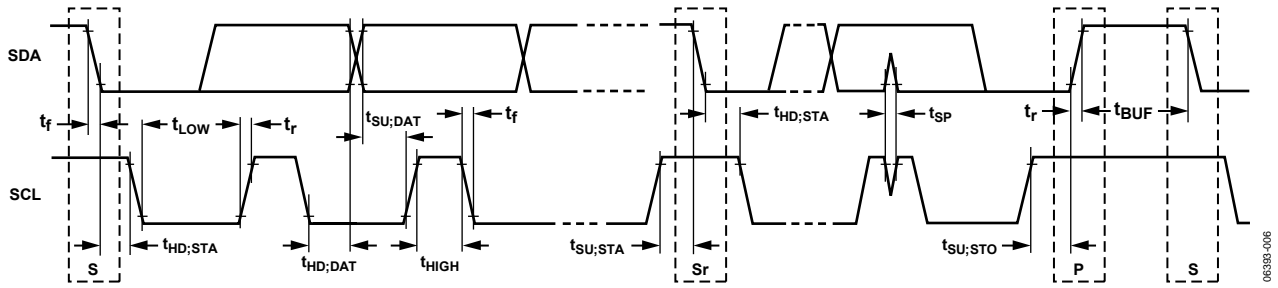


Figure 2. I²C Timing Diagram

Table 2.

| Parameter | Symbol | Min | Max | Unit |
|--|--------------|-----|------|---------|
| SCL Clock Frequency | f_{SCL} | 0 | 400+ | kHz |
| Hold Time for a Start Condition | $t_{HD;STA}$ | 0.6 | – | μ s |
| Set-up Time for a Repeated Start Condition | $t_{SU;STA}$ | 0.6 | – | μ s |
| Low Period of the SCL Clock | t_{LOW} | 1.3 | – | μ s |
| High Period of the SCL Clock | t_{HIGH} | 0.6 | – | μ s |
| Data Hold Time | $t_{HD;DAT}$ | 0 | – | μ s |
| Data Set-Up Time | $t_{SU;DAT}$ | 10 | – | ns |
| Rise Time for Both SDA and SCL | t_r | 1 | 300 | ns |
| Fall Time for Both SDA and SCL | t_f | 1 | 300 | ns |
| Set-Up Time for Stop Condition | $t_{SU;STO}$ | 0.6 | – | μ s |
| Bus Free Time Between a Stop Condition and a Start Condition | t_{BUF} | 1 | – | ns |
| Capacitance for Each I/O Pin | C_i | 5 | 7 | pF |

ABSOLUTE MAXIMUM RATINGS

Table 3.

| Parameter | Rating |
|----------------------------|--|
| V_{CC} to V_{EE} | 3.7 V |
| V_{TTI} | $V_{CC} + 0.6$ V |
| V_{TTO} | $V_{CC} + 0.6$ V |
| Internal Power Dissipation | 4.1 W |
| Differential Input Voltage | 2.0 V |
| Logic Input Voltage | $V_{EE} - 0.3$ V $< V_{IN} < V_{CC} + 0.6$ V |
| Storage Temperature Range | -65°C to +125°C |
| Lead Temperature | 300°C |
| Junction Temperature | 150°C |

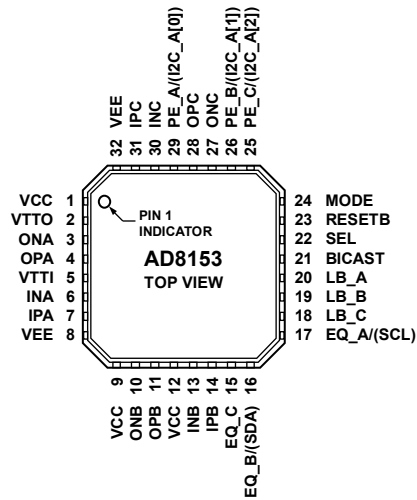
Stresses above those listed under Absolute Maximum Ratings may cause permanent damage to the device. This is a stress rating only; functional operation of the device at these or any other conditions above those indicated in the operational section of this specification is not implied. Exposure to absolute maximum rating conditions for extended periods may affect device reliability.

ESD CAUTION



ESD (electrostatic discharge) sensitive device. Charged devices and circuit boards can discharge without detection. Although this product features patented or proprietary protection circuitry, damage may occur on devices subjected to high energy ESD. Therefore, proper ESD precautions should be taken to avoid performance degradation or loss of functionality.

PIN CONFIGURATION AND FUNCTION DESCRIPTIONS



NOTE
EPAD NEEDS TO BE ELECTRICALLY
CONNECTED TO VEE.

06393-002

Figure 3. Pin Configuration

Table 4. Pin Function Descriptions

| Pin No. | Mnemonic | Type | Description |
|-------------|-----------------|---------|---|
| 1, 9, 12 | VCC | Power | Positive Supply. |
| 2 | VTTO | Power | Output Termination Supply. |
| 3 | ONA | I/O | High Speed Output Complement. |
| 4 | OPA | I/O | High Speed Output. |
| 5 | VTTI | Power | Input Termination Supply. |
| 6 | INA | I/O | High Speed Input Complement. |
| 7 | IPA | I/O | High Speed Input. |
| 8, 32, EPAD | VEE | Power | Negative Supply. |
| 10 | ONB | I/O | High Speed Output Complement. |
| 11 | OPB | I/O | High Speed Output. |
| 13 | INB | I/O | High Speed Input Complement. |
| 14 | IPB | I/O | High Speed Input. |
| 15 | EQ_C | Control | Port C Input Equalization Control. |
| 16 | EQ_B/(SDA) | Control | Port B Input Equalization Control/(I ² C Data when MODE = 1). |
| 17 | EQ_A/(SCL) | Control | Port A Input Equalization Control/(I ² C Clock when MODE = 1). |
| 18 | LB_C | Control | Port C Loopback Enable. |
| 19 | LB_B | Control | Port B Loopback Enable. |
| 20 | LB_A | Control | Port A Loopback Enable. |
| 21 | BICAST | Control | Bicast Enable. |
| 22 | SEL | Control | A/B Select. |
| 23 | RESETB | Control | Configuration Registers Reset. |
| 24 | MODE | Control | Configuration Mode. 1 for Serial/Mixed Mode, 0 for Pin Mode. |
| 25 | PE_C/(I2C_A[2]) | Control | Port C Pre-Emphasis Control/(I ² C Slave Address Bit 2 when MODE = 1). |
| 26 | PE_B/(I2C_A[1]) | Control | Port B Pre-Emphasis Control/(I ² C Slave Address Bit 1 when MODE = 1). |
| 27 | ONC | I/O | High Speed Output Complement. |
| 28 | OPC | I/O | High Speed Output. |
| 29 | PE_A/(I2C_A[0]) | Control | Port A Pre-Emphasis Control/(I ² C Slave Address Bit 0 when MODE = 1). |
| 30 | INC | I/O | High Speed Input Complement. |
| 31 | IPC | I/O | High Speed Output. |

TYPICAL PERFORMANCE CHARACTERISTICS

$V_{CC} = V_{TTI} = V_{TTO} = 3.3\text{ V}$, $V_{EE} = 0\text{ V}$, $R_L = 50\ \Omega$, two outputs active with no pre-emphasis, high EQ, data rate = 3.2 Gbps, ac-coupled, PRBS7 test pattern, $V_{ID} = 800\text{ mV p-p}$, $T_A = 25^\circ\text{C}$, unless otherwise noted.

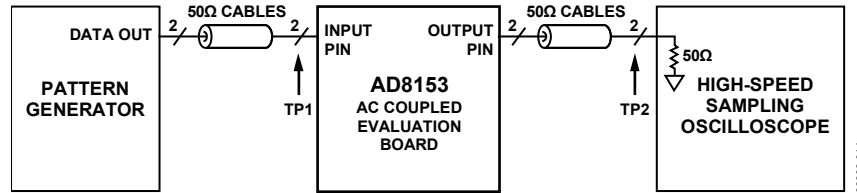


Figure 4. Standard Test Circuit (No Channel)

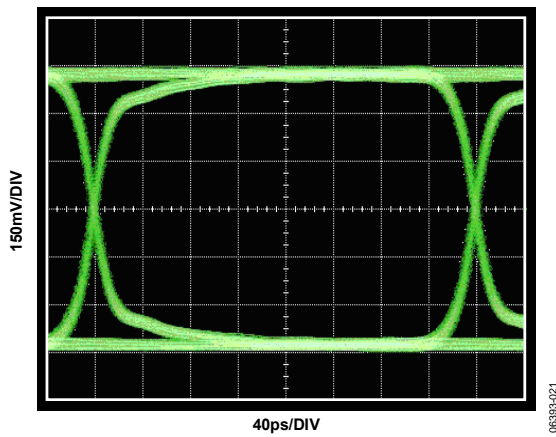


Figure 5. 3.2 Gbps Input Eye (TP1 from Figure 4)

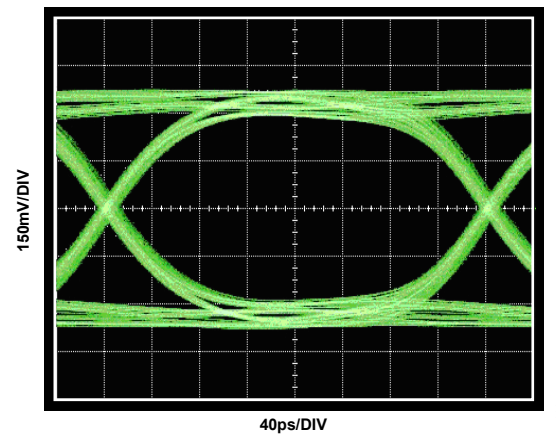


Figure 6. 3.2 Gbps Output Eye, No Channel (TP2 from Figure 4)

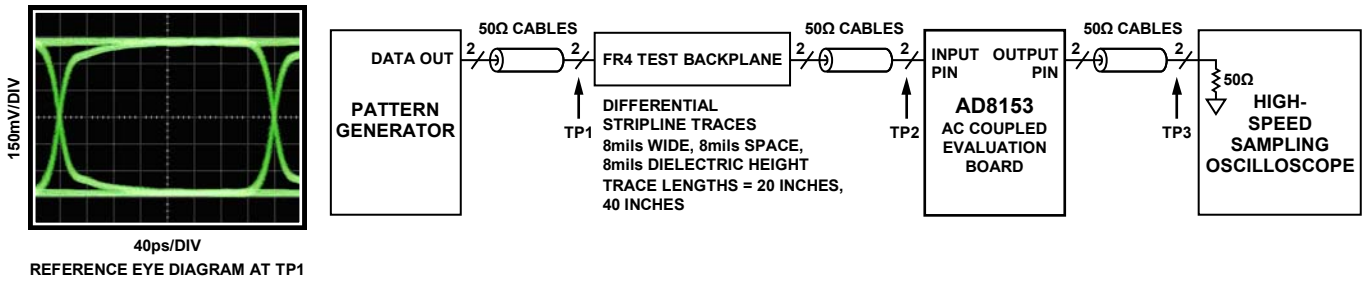


Figure 7. Input Equalization Test Circuit

06393-015

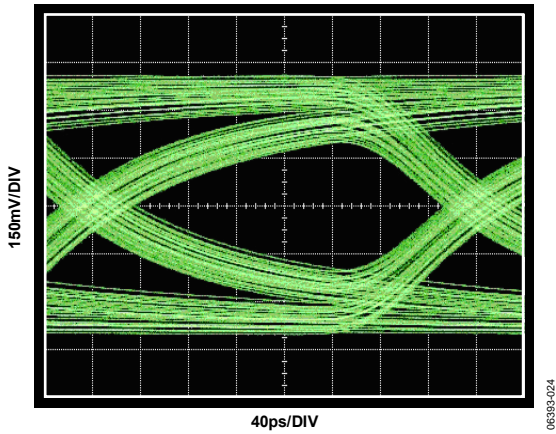


Figure 8. 3.2 Gbps Input Eye, 20 Inch FR4 Input Channel (TP2 from Figure 7)

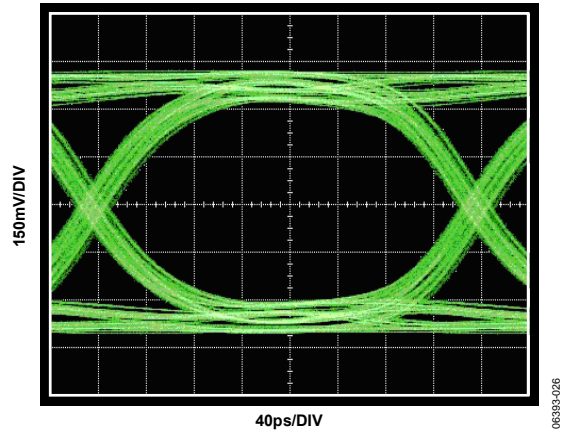


Figure 10. 3.2 Gbps Output Eye, 20 Inch FR4 Input Channel, High EQ (TP3 from Figure 7)

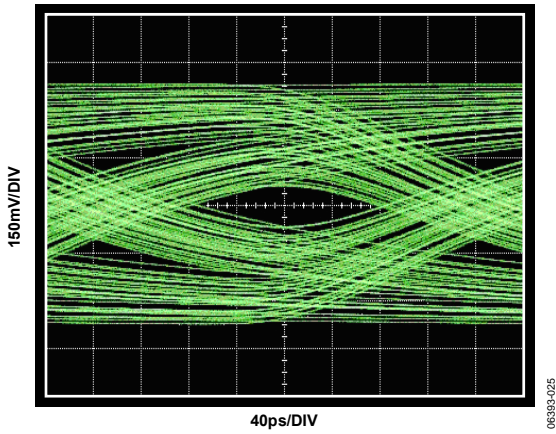


Figure 9. 3.2 Gbps Input Eye, 40 Inch FR4 Input Channel (TP2 from Figure 7)

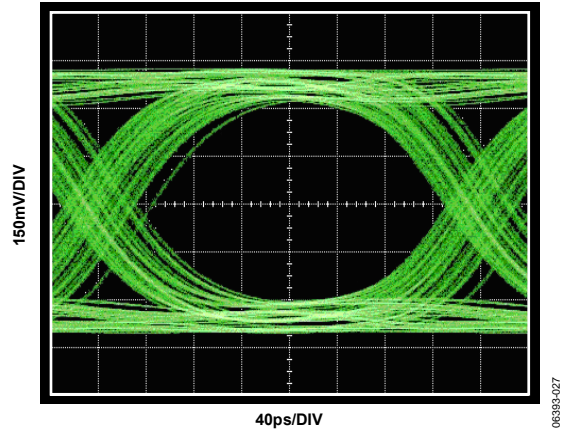


Figure 11. 3.2 Gbps Output Eye, 40 Inch FR4 Input Channel, High EQ (TP3 from Figure 7)

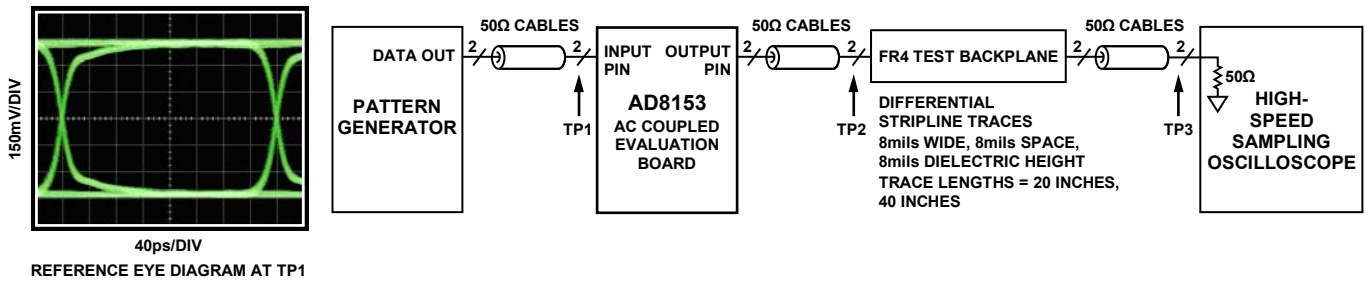


Figure 12. Output Pre-Emphasis Test Circuit

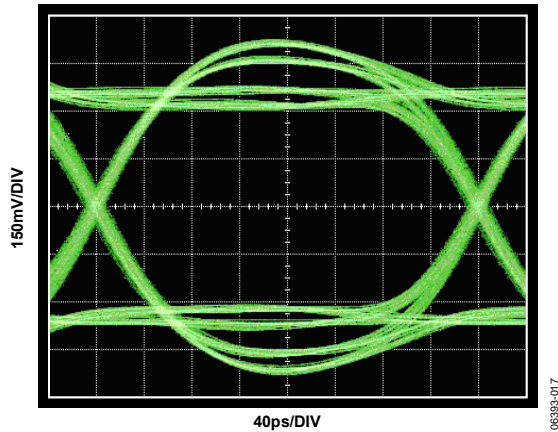


Figure 13. 3.2 Gbps Output Eye, Pre-Channel, PE = 2 (TP2 from Figure 12)

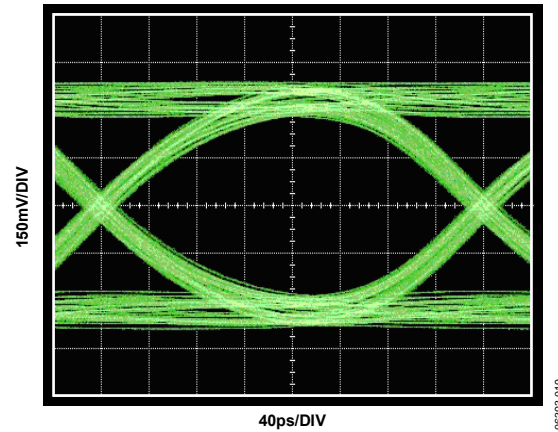


Figure 15. 3.2 Gbps Output Eye, 20 Inch FR4 Output Channel, PE = 2 (TP3 from Figure 12)

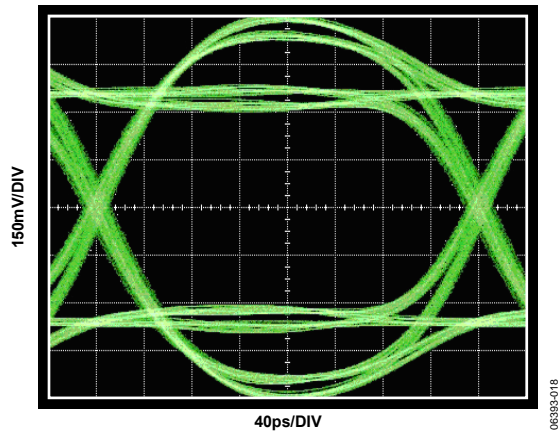


Figure 14. 3.2 Gbps Output Eye, Pre-Channel, PE = 3 (TP2 from Figure 12)

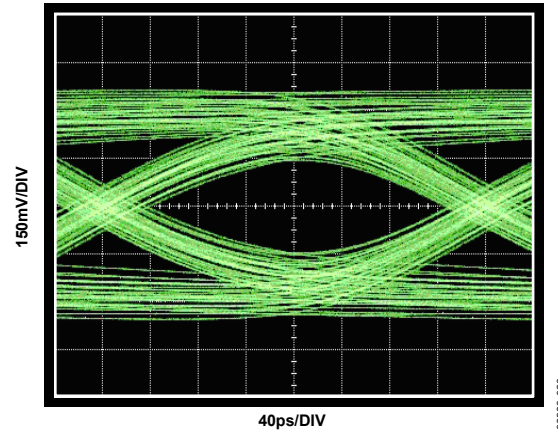


Figure 16. 3.2 Gbps Output Eye, 40 Inch FR4 Output Channel, PE = 3 (TP3 from Figure 12)

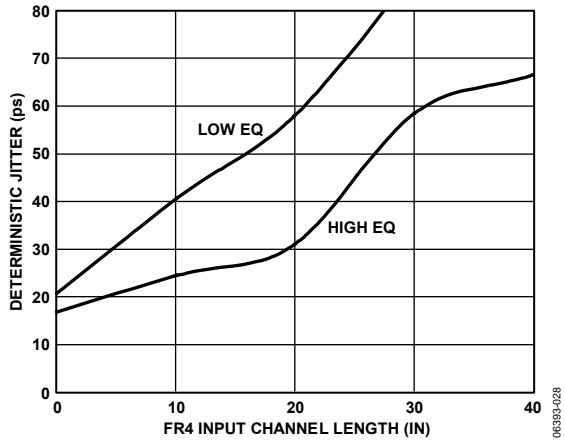


Figure 17. Deterministic Jitter vs. FR4 Input Channel Length

06393-028

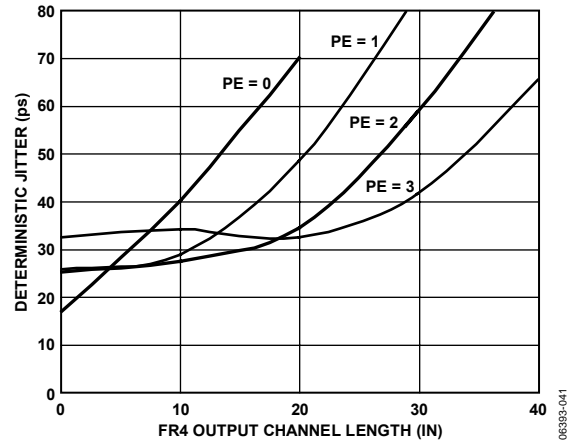


Figure 20. Deterministic Jitter vs. FR4 Output Channel Length

06393-041

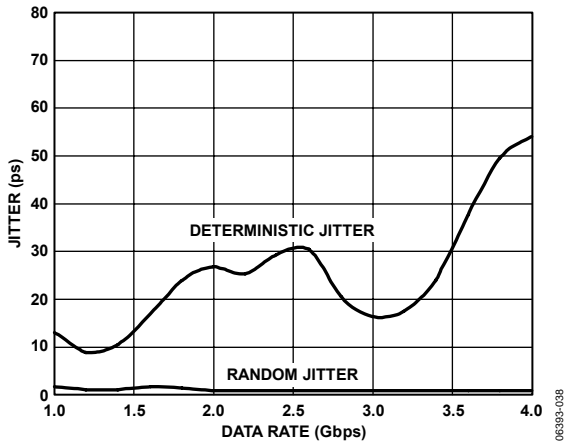


Figure 18. Jitter vs. Data Rate

06393-038

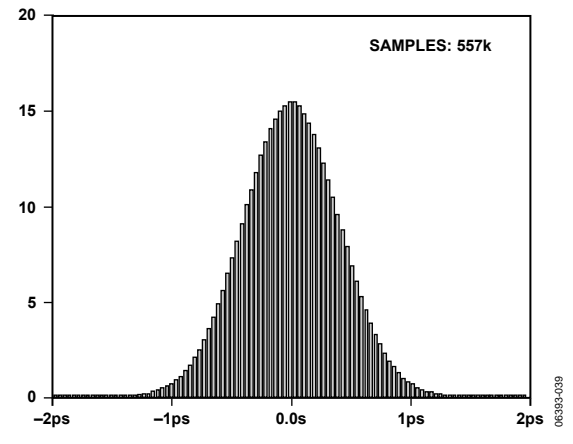


Figure 21. Random Jitter Histogram, 3.2 Gbps

06393-039

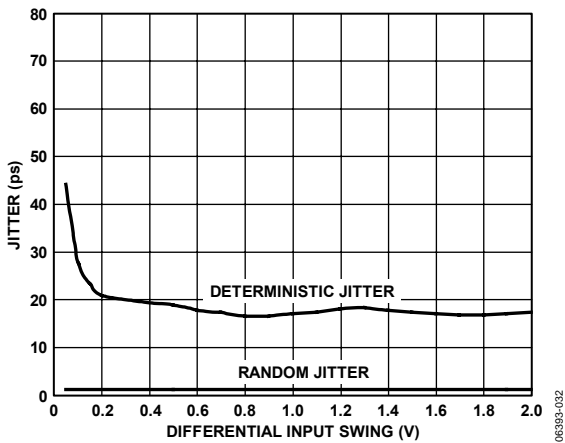


Figure 19. Jitter vs. Differential Input Swing

06393-032

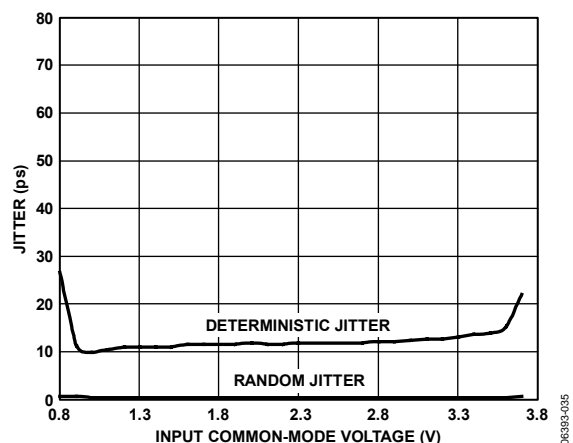


Figure 22. Jitter vs. Input Common-Mode Voltage

06393-035

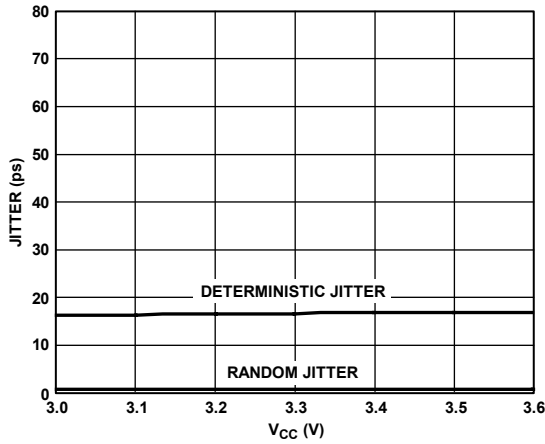


Figure 23. Jitter vs. Core Supply Voltage

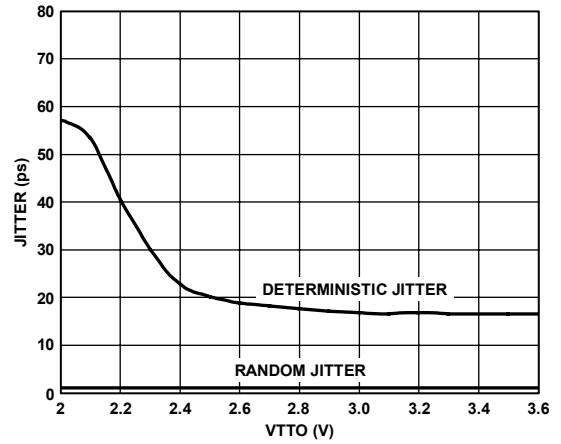


Figure 26. Jitter vs. Output Termination Voltage

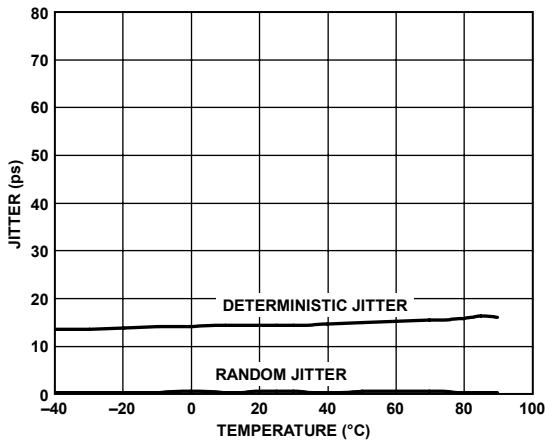


Figure 24. Jitter vs. Temperature

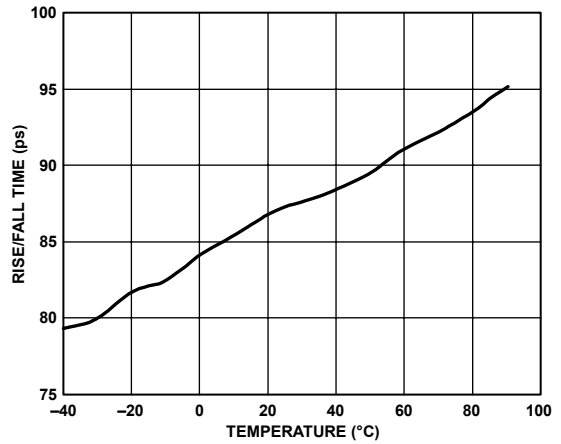


Figure 27. Rise/Fall Time vs. Temperature

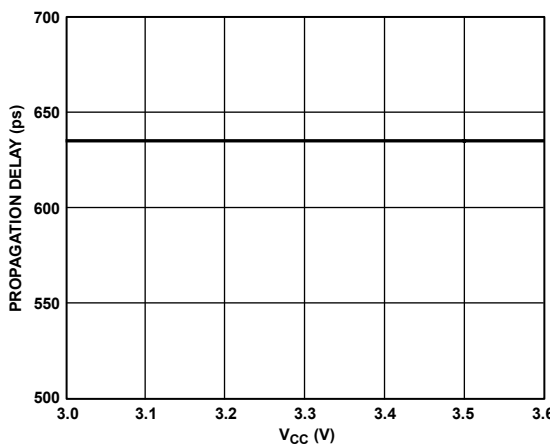


Figure 25. Propagation Delay vs. Core Supply Voltage

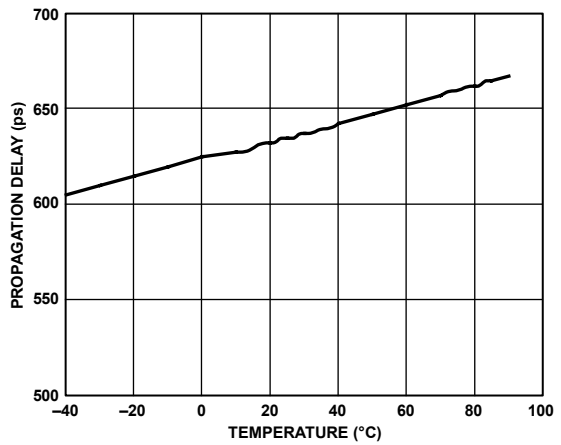


Figure 28. Propagation Delay vs. Temperature

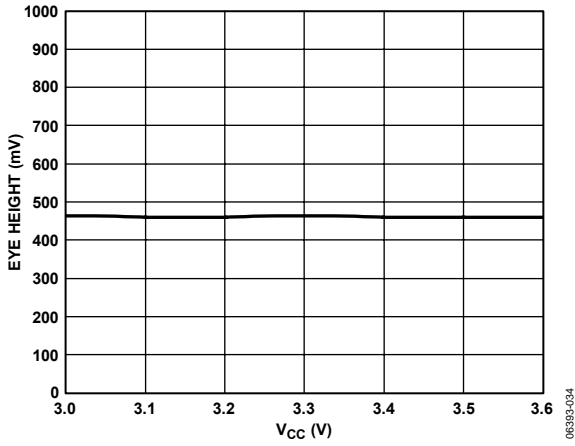


Figure 29. Eye Height vs. Core Supply Voltage

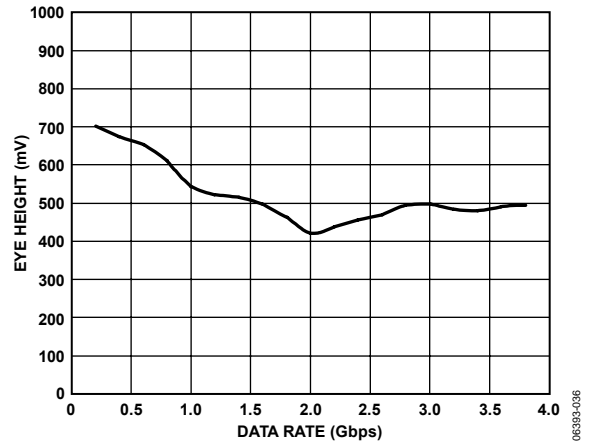


Figure 30. Eye Height vs. Data Rate

THEORY OF OPERATION

The AD8153 consists of a 2:1 multiplexer and a 1:2 demultiplexer. There are three operating modes: pin mode, serial mode, and mixed mode. In pin mode, lane switching, equalization, and pre-emphasis are controlled using external pins. In serial mode, an I²C interface is used to control the device and to provide access to advanced features, such as additional pre-emphasis settings and output disable. In mixed mode, the user accesses the advanced features using I²C but controls lane switching using external pins.

SWITCH CONFIGURATIONS

On the demultiplexer side, the AD8153 relays received data on Input Port C to Output Port A and/or Output Port B, depending on the state of the BICAST and SEL bits. On the multiplexer

side, the device relays received data on either Input Port A or Input Port B to Output Port C, depending on the state of the SEL bit.

When bicast mode is off, the outputs of either Port A or Port B are in an idle state. In the idle state, the output tail current is set to 0, and the P and N sides of the lane are pulled up to the output termination voltage through the on-chip termination resistors.

The device also supports loopback on all ports, illustrated in Figure 31. Enabling loopback on any port overrides configurations set by the BICAST and SEL control bits. Table 5 summarizes the possible switch configurations.

The AD8153 output disable feature can be used to force an output into the idle (powered-down) state. This feature is only accessible through the serial control interface.

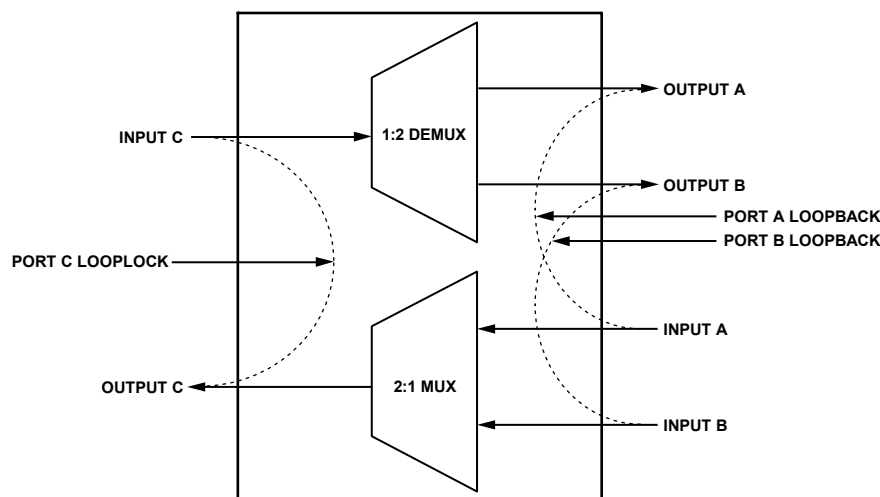


Figure 31. Loopback Configurations

Table 5. Switch Configurations

| LB_A | LB_B | LB_C | SEL | BICAST | Output A | Output B | Output C |
|------|------|------|-----|--------|----------|----------|----------|
| 0 | 0 | 0 | 0 | 0 | Input C | Idle | Input A |
| 0 | 0 | 0 | 0 | 1 | Input C | Input C | Input A |
| 0 | 0 | 0 | 1 | 0 | Idle | Input C | Input B |
| 0 | 0 | 0 | 1 | 1 | Input C | Input C | Input B |
| 0 | 0 | 1 | 0 | 0 | Input C | Idle | Input C |
| 0 | 0 | 1 | X | 1 | Input C | Input C | Input C |
| 0 | 0 | 1 | 1 | 0 | Idle | Input C | Input C |
| 0 | 1 | 0 | 0 | X | Input C | Input B | Input A |
| 0 | 1 | 0 | 1 | 0 | Idle | Input B | Input B |
| 0 | 1 | 0 | 1 | 1 | Input C | Input B | Input B |
| 0 | 1 | 1 | 0 | X | Input C | Input B | Input C |
| 0 | 1 | 1 | 1 | 0 | Idle | Input B | Input C |
| 0 | 1 | 1 | X | 1 | Input C | Input B | Input C |
| 1 | 0 | 0 | 0 | 0 | Input A | Idle | Input A |
| 1 | 0 | 0 | 0 | 1 | Input A | Input C | Input A |
| 1 | 0 | 0 | 1 | X | Input A | Input C | Input B |
| 1 | 0 | 1 | 0 | 0 | Input A | Idle | Input C |

AD8153

| LB_A | LB_B | LB_C | SEL | BICAST | Output A | Output B | Output C |
|------|------|------|-----|--------|----------|----------|----------|
| 1 | 0 | 1 | X | 1 | Input A | Input C | Input C |
| 1 | 0 | 1 | 1 | X | Input A | Input C | Input C |
| 1 | 1 | 0 | 0 | X | Input A | Input B | Input A |
| 1 | 1 | 0 | 1 | X | Input A | Input B | Input B |
| 1 | 1 | 1 | X | X | Input A | Input B | Input C |

RECEIVE EQUALIZATION

In backplane applications, the AD8153 needs to compensate for signal degradation caused by long traces. The device supports two levels of input equalization, configured on a per-port basis. Table 6 summarizes the high-frequency asymptotic gain boost for each setting.

Table 6. Receive Equalization Settings

| EQ_A/B/C | EQ Boost |
|----------|----------|
| 0 | 6 dB |
| 1 | 12 dB |

TRANSMIT PRE-EMPHASIS

Transmitter pre-emphasis levels can be set by pin control or through the control registers when using the I²C interface. Pin control allows two settings of PE. The control registers provide two additional settings.

Table 7. Pre-Emphasis Settings

| Serial Mode PE_A/B/C Setting | Pin Mode PE_A/B/C | PE Boost (%) | PE Boost (dB) |
|---------------------------------|----------------------|--------------|---------------|
| 0 | 0 | 0 | 0 |
| 1 | N/A | 25 | 1.9 |
| 2 | 1 | 50 | 3.5 |
| 3 | N/A | 75 | 4.9 |

I²C SERIAL CONTROL INTERFACE

REGISTER SET

The AD8153 can be controlled in one of three modes: pin mode, serial mode, and mixed mode. In pin mode, the AD8153 control is derived from the package pins, whereas in serial mode a set of internal registers controls the AD8153. There is also a mixed mode where switching is controlled via external pins, and equalization and pre-emphasis are controlled via the internal registers. The methods for writing data to and reading data from the AD8153 are described in the I²C Data Write section and the I²C Data Read section.

The mode is controlled via the MODE pin. To set the part in pin mode, MODE should be driven low to VEE. When MODE is driven high to VCC, the part is set to serial or mixed mode.

In pin mode, all controls are derived from the external pins. In serial mode, each channel's equalization and pre-emphasis are controlled only through the registers, as described in Table 8. Additionally, further functionality is available in serial mode as each channel's output can be enabled/disabled with the Output Enable control bits, which is not possible in pin mode. To change the switching in the AD8153 to serial mode, the mask bits (Register 0x00) must be set to 1 by writing the value 0x1F to this register, as explained in the following sections. Once all the mask bits are set to 1, switching is controlled via the LB_A, LB_B, LB_C, SEL, and BICAST bits in the register set.

In mixed mode, each channel's equalization and pre-emphasis are controlled through the registers as described above. The switching, however, can be controlled using either the external

pins or the internal register set. The source of the control is selected using the mask bits (Register 0x00). If a mask bit is set to 0, the external pin acts as the source for that specific control. If a mask bit is set to 1, the associated internal register acts as the source for that specific control. As an example, if Register 0x00 were set to the value 0x0C, the SEL and LB_C controls would come from the internal register set (Bit 0 of Register 0x04 and Bit 3 of Register 0x03, respectively), and the BICAST, LB_A, and LB_B controls would come from the external pins.

GENERAL FUNCTIONALITY

The AD8153 register set is controlled through a 2-wire I²C interface. The AD8153 acts only as an I²C slave device. Therefore, the I²C bus in the system needs to include an I²C master to configure the AD8153 and other I²C devices that may be on the bus. When the MODE pin is set to a Logic 1, data transfers are controlled through the use of the two I²C wires: the input clock pin, SCL, and the bidirectional data pin, SDA.

The AD8153 I²C interface can be run in the standard (100 kHz) and fast (400 kHz) modes. The SDA line only changes value when the SCL pin is low with two exceptions. To indicate the beginning or continuation of a transfer, the SDA pin is driven low while the SCL pin is high, and to indicate the end of a transfer, the SDA line is driven high while the SCL line is high. Therefore, it is important to control the SCL clock to only toggle when the SDA line is stable unless indicating a start, repeated start, or stop condition.

Table 8. Register Map

| Address | Bit 7 | Bit 6 | Bit 5 | Bit 4 | Bit 3 | Bit 2 | Bit 1 | Bit 0 | Default |
|--------------------|-------|-------|-------|------------------|----------|-----------|-----------|-----------|--------------------|
| 00000000 (0x00) | | | | BICAST MASK | SEL MASK | LB_C MASK | LB_B MASK | LB_A MASK | 00000000 (0x00) |
| 00000001 (0x01) | | | | OUTPUT DISABLE A | LB_A | EQ_A | PE_A [1] | PE_A [0] | 00000000 (0x00) |
| 00000010 (0x02) | | | | OUTPUT DISABLE B | LB_B | EQ_B | PE_B [1] | PE_B [0] | 00000000 (0x00) |
| 00000011 (0x03) | | | | OUTPUT DISABLE C | LB_C | EQ_C | PE_C [1] | PE_C [0] | 00000000 (0x00) |
| 0000100 (0x04) | | | | | | | BICAST | SEL | 00000000 (0x00) |

AD8153

I²C DATA WRITE

To write data to the AD8153 register set, a microcontroller, or any other I²C master, needs to send the appropriate control signals to the AD8153 slave device. The steps that need to be followed are listed below, where the signals are controlled by the I²C master unless otherwise specified. A diagram of the procedure is shown in Figure 32.

1. Send a start condition (while holding the SCL line high, pull the SDA line low).
2. Send the AD8153 part address (seven bits) whose upper four bits are the static value b1001 and whose lower three bits are controlled by the input pins I2C_A[2:0]. This transfer should be MSB first.
3. Send the write indicator bit (0).
4. Wait for the AD8153 to acknowledge the request.
5. Send the register address (eight bits) to which data is to be written. This transfer should be MSB first.
6. Wait for the AD8153 to acknowledge the request.
7. Send the data (eight bits) to be written to the register whose address was set in Step 5. This transfer should be MSB first.
8. Wait for the AD8153 to acknowledge the request.
9. Send a stop condition (while holding the SCL line high, pull the SDA line high) and release control of the bus.

10. Send a repeated start condition (while holding the SCL line high, pull the SDA line low) and continue with Step 2 in this procedure to perform another write.
11. Send a repeated start condition (while holding the SCL line high, pull the SDA line low) and continue with Step 2 of the read procedure (in the I²C Data Read section) to perform a read from another address.
12. Send a repeated start condition (while holding the SCL line high, pull the SDA line low) and continue with step 8 of the read procedure (in the I²C Data Read section) to perform a read from the same address set in Step 5.

The AD8153 write process is shown in Figure 32. The SCL signal is shown along with a general write operation and a specific example. In the example, data 0x92 is written to Address 0x6D of an AD8153 part with a part address of 0x4B. The part address is seven bits wide and is composed of the AD8153 static upper four bits (b1001) and the pin programmable lower three bits (I2C_ADDR[2:0]). In this example, the I2C_ADDR bits are set to b011. In Figure 32, the corresponding step number is visible in the circle under the waveform. The SCL line is driven by the I²C master and never by the AD8153 slave. As for the SDA line, the data in the shaded polygons is driven by the AD8153, whereas the data in the non-shaded polygons is driven by the I²C master. The end phase case shown is that of 9a.

It is important to note that the SDA line only changes when the SCL line is low, except for the case of sending a start, stop, or repeated start condition, Step 1 and Step 9 in this case.

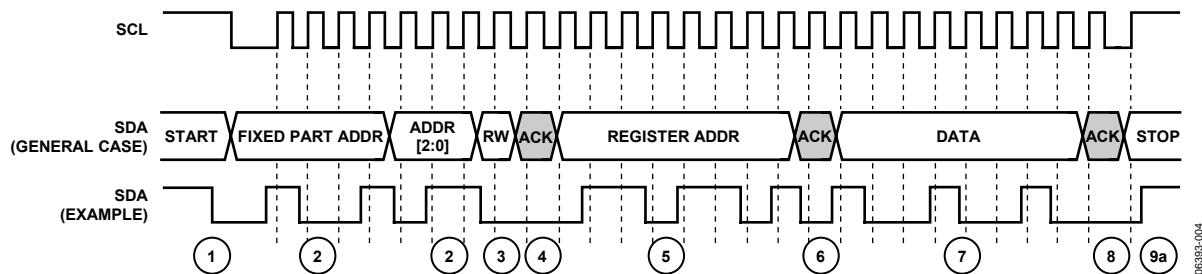


Figure 32. I²C Write Diagram

06398-004

I²C DATA READ

To read data from the AD8153 register set, a microcontroller, or any other I²C master, needs to send the appropriate control signals to the AD8153 slave device. The steps to be followed are listed below, where the signals are controlled by the I²C master unless otherwise specified. A diagram of the procedure can be seen in Figure 33.

1. Send a start condition (while holding the SCL line high, pull the SDA line low).
2. Send the AD8153 part address (seven bits) whose upper four bits are the static value b1001 and whose lower three bits are controlled by the input pins I2C_ADDR[2:0]. This transfer should be MSB first.
3. Send the write indicator bit (0).
4. Wait for the AD8153 to acknowledge the request.
5. Send the register address (eight bits) from which data is to be read. This transfer should be MSB first. The register address is kept in memory in the AD8153 until the part is reset or the register address is written over with the same procedure (Step 1 to Step 6).
6. Wait for the AD8153 to acknowledge the request.
7. Send a repeated start condition (while holding the SCL line high, pull the SDA line low).
8. Send the AD8153 part address (seven bits) whose upper four bits are the static value b1001 and whose lower three bits are controlled by the input pins I2C_ADDR[1:0]. This transfer should be MSB first.
9. Send the read indicator bit (1).
10. Wait for the AD8153 to acknowledge the request.
11. The AD8153 then serially transfers the data (eight bits) held in the register indicated by the address set in Step 5.

12. Acknowledge the data.

13. Send a stop condition (while holding the SCL line high, pull the SDA line high) and release control of the bus.

14. Send a repeated start condition (while holding the SCL line high, pull the SDA line low) and continue with Step 2 of the write procedure (see the I²C Data Write section) to perform a write.

15. Send a repeated start condition (while holding the SCL line high, pull the SDA line low) and continue with Step 2 of this procedure to perform a read from another address.

16. Send a repeated start condition (while holding the SCL line high, pull the SDA line low) and continue with Step 8 of this procedure to perform a read from the same address.

The AD8153 read process is shown in Figure 33. The SCL signal is shown along with a general read operation and a specific example. In the example, Data 0x49 is read from Address 0x6D of an AD8153 part with a part address of 0x4B. The part address is seven bits wide and is composed of the AD8153 static upper four bits (b1001) and the pin programmable lower three bits (I2C_ADDR[2:0]). In this example, the I2C_ADDR bits are set to b011. In Figure 33, the corresponding step number is visible in the circle under the waveform. The SCL line is driven by the I²C master and never by the AD8153 slave. As for the SDA line, the data in the shaded polygons is driven by the AD8153, whereas the data in the nonshaded polygons is driven by the I²C master. The end phase case shown is that of 13a.

It is important to note that the SDA line only changes when the SCL line is low, except for the case of sending a start, stop, or repeated start condition, as in Step 1, Step 7, and Step 13. In Figure 33, A is the same as ACK in Figure 32. Equally, Sr represents a repeated start where the SDA line is brought high before SCL is raised. SDA is then dropped while SCL is still high.

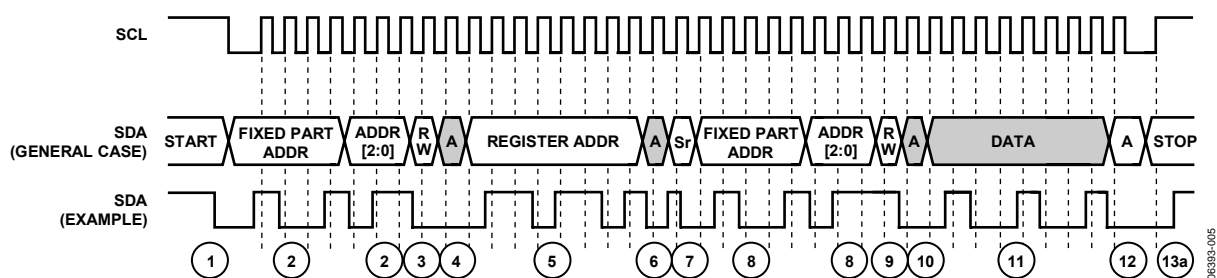


Figure 33. I²C Read Diagram

APPLICATIONS INFORMATION

The main application of the AD8153 is to support redundancy on both the backplane side and the line interface side of a serial link. Figure 34 illustrates redundancy in a typical backplane system. Each line card is connected to two switch fabrics (primary and redundant). The device can be configured to support either 1 + 1 or 1:1 redundancy.

Another application for the AD8153 is in test equipment for evaluating high speed serial links. Figure 36 illustrates a possible application of the AD8153 in a simple link tester.

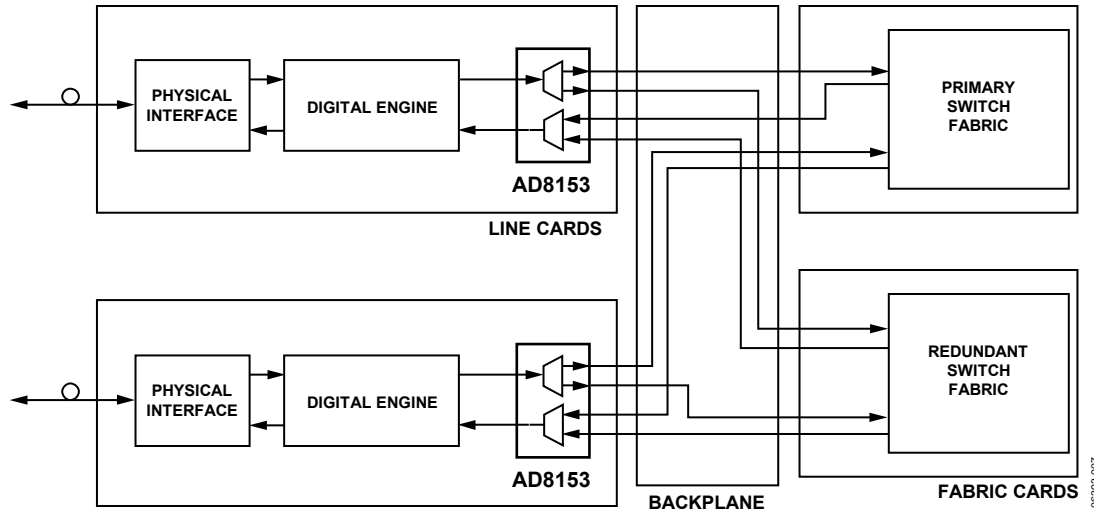


Figure 34. Switch Redundancy Application

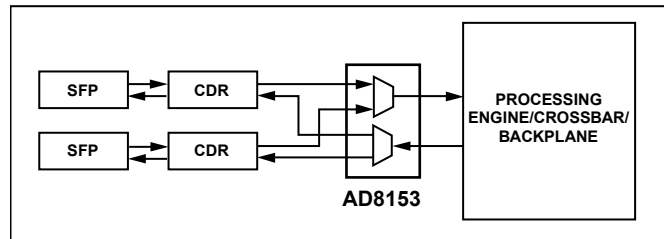


Figure 35. Line Interface Redundancy Application

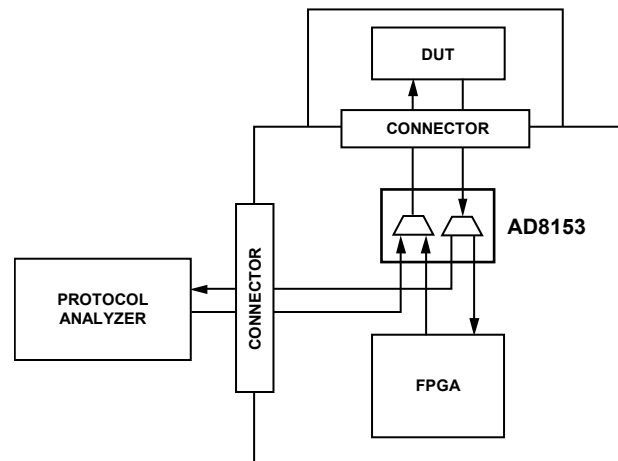


Figure 36. Test Equipment Application

PCB DESIGN GUIDELINES

Proper RF PCB design techniques must be used for optimal performance.

Power Supply Connections and Ground Planes

Use of one low impedance ground plane is recommended. The VEE pins should be soldered directly to the ground plane to reduce series inductance. If the ground plane is an internal plane and connections to the ground plane are made through vias, multiple vias can be used in parallel to reduce the series inductance. The exposed pad should be connected to the VEE plane using plugged vias so that solder does not leak through the vias during reflow.

Use of a 10 μF electrolytic capacitor between VCC and VEE is recommended at the location where the 3.3 V supply enters the PCB. It is recommended that 0.1 μF and 1 nF ceramic chip capacitors be placed in parallel at each supply pin for high frequency power supply decoupling. When using 0.1 μF and 1 nF ceramic chip capacitors, they should be placed between the IC power supply pins (VCC, VTTI, VTTO) and VEE, as close as possible to the supply pins.

By using adjacent power supply and GND planes, excellent high frequency decoupling can be realized by using close spacing between the planes. This capacitance is given by

$$C_{\text{PLANE}} = 0.88\epsilon_r A/d \text{ (pF)}$$

where:

ϵ_r is the dielectric constant of the PCB material.

A is the area of the overlap of power and GND planes (cm^2).

d is the separation between planes (mm).

For FR4, $\epsilon_r = 4.4$ and 0.25 mm spacing, $C \sim 15 \text{ pF/cm}^2$.

Transmission Lines

Use of 50 Ω transmission lines is required for all high frequency input and output signals to minimize reflections. It is also necessary for the high speed pairs of differential input traces to be matched in length, as well as the high speed pairs of differential output traces, to avoid skew between the differential traces.

Soldering Guidelines for Chip Scale Package

The lands on the 32-lead LFCSP are rectangular. The printed circuit board pad for these should be 0.1 mm longer than the package land length and 0.05 mm wider than the package land width. The land should be centered on the pad. This ensures that the solder joint size is maximized. The bottom of the chip scale package has a central exposed pad. The pad on the printed circuit board should be at least as large as this exposed pad. The user must connect the exposed pad to VEE using plugged vias so that solder does not leak through the vias during reflow. This ensures a solid connection from the exposed pad to VEE.

INTERFACING TO THE AD8153

TERMINATION STRUCTURES

To determine the best strategy for connecting to the high speed pins of the AD8153, the user must first be familiar with the on-chip termination structures. The AD8153 contains two types of these structures: one type for input ports and one type for output ports (see Figure 37 and Figure 38).

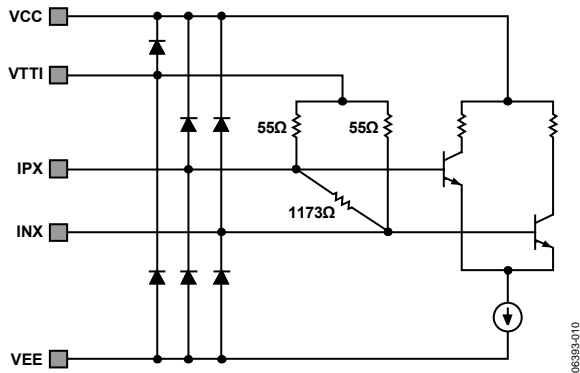


Figure 37. Receiver Simplified Diagram

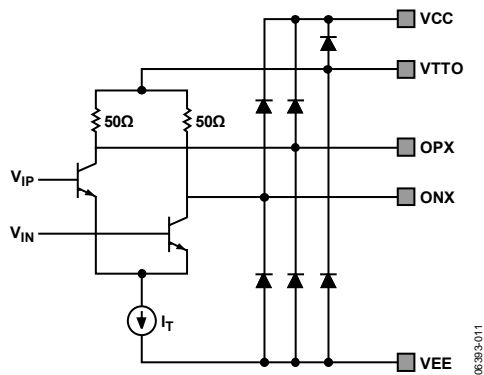


Figure 38. Transmitter Simplified Diagram

For input ports, the termination structure consists of two 55 Ω resistors connected to a termination supply and an 1173 Ω resistor connected across the differential inputs, the latter being a result of the finite differential input impedance of the equalizer.

For output ports, there are two 50 Ω resistors connected to the termination supply. Note that the differential input resistance for both structures is the same, 100 Ω.

INPUT COMPLIANCE

The range of allowable input voltages is determined by the fundamental limitations of the active input circuitry. This range of signals is normally a function of the common-mode level of the input signal, the signal swing, and the supply voltage. For a given input signal swing, there is a range of common-mode voltages that keeps the high and low voltage excursions within acceptable limits. Similarly, for a given common-mode input voltage, there is a maximum acceptable input signal swing. There is also a minimum signal swing that the active input circuitry can resolve reliably. The specifications are found in Table 1.

AC Coupling

One way to simplify the input circuit and make it compatible with a wide variety of driving devices is to use ac coupling. This has the effect of isolating the dc common-mode levels of the driver and the AD8153 input circuitry. AC coupling requires a capacitor in series with each single-ended input signal, as shown in Figure 39. This should be done in a manner that does not interfere with the high speed signal integrity of the PCB.

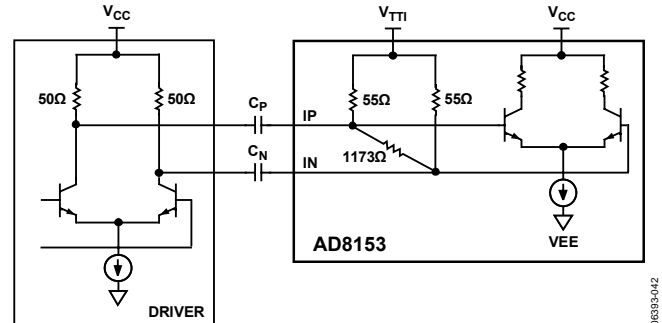


Figure 39. AC-Coupling Input Signal of AD8153

When ac coupling is used, the common-mode level at the input of the device is equal to V_{TTI} . The single-ended input signal swings above and below V_{TTI} equally. The user can then use the specifications in Table 1 to determine the input signal swing levels that satisfy the input range of the AD8153.

If dc coupling is required, determining the input common-mode level is less straightforward because the configuration of the driver must also be considered. In most cases, the user would set V_{TTI} on the AD8153 to the same level as the driver output termination voltage. This prevents a continuous dc current from flowing between the two supply nets. As a practical matter, both devices can be terminated to the same physical supply net.

Consider the following example: a driver is dc-coupled to the input of the AD8153. The AD8153 input termination voltage (V_{TTI}) and the driver output termination voltage (V_{TTOD}) are both set to the same level; that is, $V_{TTI} = V_{TTOD} = 3.3$ V. If an 800 mV differential p-p swing is desired, the total output current of the driver is 16 mA. At balance, the output current is divided evenly between the two sides of the differential signal path, 8 mA to each side. This 8 mA of current flows through the parallel combination of the 55 Ω input termination resistor on the AD8153 and the 50 Ω output termination resistor on the driver, resulting in a common-mode level of

$$V_{TTI} - 8 \text{ mA} \times (50 \Omega \parallel 55 \Omega) = V_{TTI} - 209 \text{ mV}$$

The user can then determine the allowable range of values for V_{TTI} that meets the input compliance range based on an 800 mV p-p differential swing.

OUTPUT COMPLIANCE

Figure 40 is a graphical depiction of the single-ended waveform at the output of the AD8153. The common-mode level (V_{OCM}) and the amplitude (V_{OSE}) of this waveform are a function of the output tail current (I_T), the output termination supply voltage (V_{TTO}), the topology of the far-end receiver, and whether ac- or dc-coupling is used. Keep in mind that the output tail current varies with the pre-emphasis level. The user must ensure that the high (V_H) and low (V_L) voltage excursions at the output are within the single-ended absolute voltage range limits as specified in Table 1. Failure to understand the implications of output signal levels and the choice of ac- or dc-coupling may lead to transistor saturation and poor transmitter performance.

Table 9 shows an example calculation of the output levels for the typical case, where $V_{CC} = V_{TTO} = 3.3$ V, with $50\ \Omega$ far-end terminations to a 3.3 V supply.

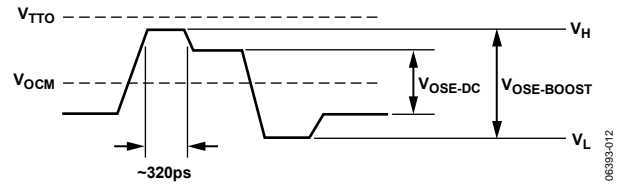


Figure 40. Single-Ended Output Waveform

Table 9. Output Voltage Levels

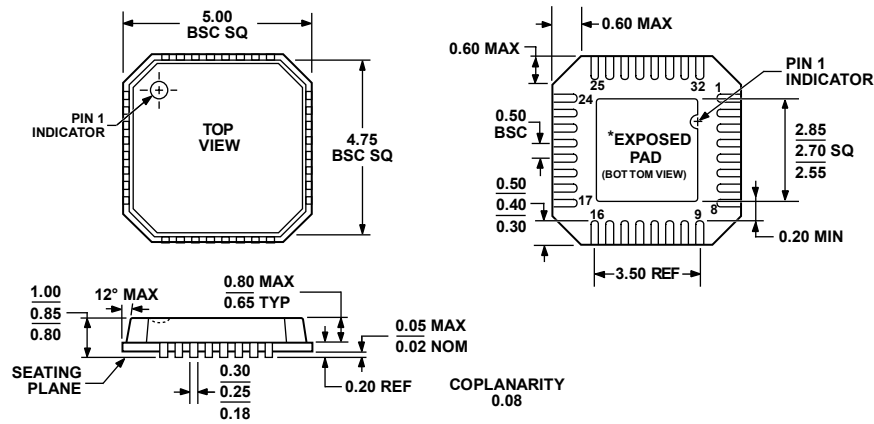
| PE Setting | I_T (mA) | V_{OSE-DC} (mV p-p) | $V_{OSE-BOOST}$ (mV p-p) | DC-Coupled | | | AC-Coupled | | |
|------------|------------|-----------------------|--------------------------|---------------|-----------|-----------|---------------|-----------|-----------|
| | | | | V_{OCM} (V) | V_H (V) | V_L (V) | V_{OCM} (V) | V_H (V) | V_L (V) |
| 0 | 16 | 400 | 400 | 3.1 | 3.3 | 2.9 | 2.9 | 3.1 | 2.7 |
| 1 | 20 | 400 | 500 | 3.05 | 3.3 | 2.8 | 2.8 | 3.05 | 2.55 |
| 2 | 24 | 400 | 600 | 3 | 3.3 | 2.7 | 2.7 | 3 | 2.4 |
| 3 | 28 | 400 | 700 | 2.95 | 3.3 | 2.6 | 2.6 | 2.95 | 2.25 |

Table 10. Symbol Definitions

| Symbol | Formula | Definition |
|------------------------|---|---|
| V_{OSE-DC} | $I_T _{PE=0} \times 25\ \Omega$ | Single-ended output voltage swing after settling |
| $V_{OSE-BOOST}$ | $I_T \times 25\ \Omega$ | Boosted single-ended output voltage swing |
| V_{OCM} (dc-coupled) | $V_{TTO} - \frac{I_T}{2} \times 25\ \Omega$ | Common-mode voltage when the output is dc-coupled |
| V_{OCM} (ac-coupled) | $V_{TTO} - \frac{I_T}{2} \times 50\ \Omega$ | Common-mode voltage when the output is ac-coupled |
| V_H | $V_{OCM} + V_{OSE-BOOST}/2$ | High single-ended output voltage excursion |
| V_L | $V_{OCM} - V_{OSE-BOOST}/2$ | Low single-ended output voltage excursion |

AD8153

OUTLINE DIMENSIONS



COMPLIANT TO JEDEC STANDARDS MO-220-VHHD-2

*THE AD8153 HAS A CONDUCTIVE HEAT SLUG TO HELP DISSIPATE HEAT AND ENSURE RELIABLE OPERATION OF THE DEVICE OVER THE FULL INDUSTRIAL TEMPERATURE RANGE. THE SLUG IS EXPOSED ON THE BOTTOM OF THE PACKAGE AND ELECTRICALLY CONNECTED TO V_{EE} . IT IS RECOMMENDED THAT NO PCB SIGNAL TRACES OR VIAS BE LOCATED UNDER THE PACKAGE THAT COULD COME IN CONTACT WITH THE CONDUCTIVE SLUG.

032007-A

Figure 41. 32-Lead Lead Frame Chip Scale Package [LFCSP_VQ]
5 mm × 5 mm Body, Very Thin Quad
(CP-32-8)
Dimensions shown in millimeters

ORDERING GUIDE

| Model | Temperature Range | Package Description | Package Option |
|-----------------------------|-------------------|--|----------------|
| AD8153ACPZ ¹ | -40°C to +85°C | 32-Lead Lead Frame Chip Scale Package [LFCSP_VQ] | CP-32-8 |
| AD8153ACPZ-RL7 ¹ | -40°C to +85°C | 32-Lead Lead Frame Chip Scale Package [LFCSP_VQ] | CP-32-8 |
| AD8153-EVALZ ¹ | | Evaluation Board | |

¹ Z = RoHS Compliant Part.

NOTES

AD8153

NOTES